

Single Phase Energy Hub Inverter with Prism Technology

For Australia and New Zealand

SE3000H-XXX / SE4000H-XXX / SE5000H-XXX /

SE6000H-XXX / SE8250H-XXX / SE10000H-XXX



Optimised battery storage with HD-Wave technology

- Single string design for inverters up to 5kW AC
- Record-breaking 99% weighted efficiency with 200% DC oversizing, for higher energy yield
- Modular design, future ready with optional upgrades enabling:
 - Full home backup power
 - High efficiency DC-coupled storage
 - Backup generator connection
 - EV charging, with SolarEdge Smart EV Charger
- Built-in consumption monitoring
- Multi-inverter, scalable storage solution
- Advanced safety features including SafeDC™, rapid shutdown, and integrated arc fault protection
- Built-in panel-level monitoring
- Rapid inverter commissioning via smartphone using SetApp
- Small, lightweight, and easy to install
- IP65-rated, for indoor and outdoor installations

/ Single Phase Energy Hub Inverter with Prism Technology

For Australia and New Zealand

SE3000H-XXX / SE4000H-XXX / SE5000H-XXX /

SE6000H-XXX / SE8250H-XXX / SE10000H-XXX⁽¹⁾

	SE3000H-XXX	SE4000H-XXX	SE5000H-XXX	SE6000H-XXX	SE8250H-XXX	SE10000H-XXX	UNITS
OUTPUT - AC ON GRID							
Rated AC Power	3000	4000	5000	6000	8250	10000	VA
Maximum AC Power Output	3000	4000	5000	6000	8250	10000	VA
AC Output Voltage (Nominal)	220 / 230						Vac
AC Output Voltage Range	184 - 264.5						Vac
AC Frequency Range (nominal)	50/60 ± 5						Hz
Maximum Continuous Output Current	14	18.5	23	27.5	37.5	45.5	A
Total Harmonic Distortion (THD)	<3						%
Power Factor	1, adjustable -0.8 to 0.8						
Utility Monitoring, Islanding Protection, Country Configurable Thresholds	Yes						
Charge Battery from AC (if allowed)	Yes						
Typical Nighttime Power Consumption	<2.5						W
OUTPUT - AC BACKUP⁽²⁾							
Rated AC Power in Backup Operation ⁽³⁾	3000	4000	5000	6000	7400	9000	W
AC Output Voltage (Nominal)	220 / 230						Vac
AC Output Voltage Range	184-264.5						Vac
AC Frequency	50/60 ± 5						Hz
Maximum Continuous Output Current in Backup Operation ⁽⁴⁾	14	18.5	23	27.5	34	41.5	A
INPUT - DC (PV AND BATTERY)							
Transformer-less, Ungrounded	Yes						
Max Input Voltage	480						Vdc
Nom DC Input Voltage	380			400			Vdc
Reverse-Polarity Protection	Yes						
Ground-Fault Isolation Detection	600kΩ Sensitivity						
Maximum DC PV Power	6000	8000	10000	12000	16500	20000	W
Maximum Input Current ⁽⁵⁾	8.5	11	14	16.5	22.5	25.5	Adc
Maximum Inverter Efficiency	99.2						%
European Weighted Efficiency	98.8		99				%
2-pole Disconnection	Yes						
BATTERY STORAGE							
Supported Battery Types	SolarEdge Energy Bank Battery, LG RESU10H Prime, LG RESU16H Prime						
Number of Batteries per Inverter	Up to 3 SolarEdge Energy Bank Batteries or up to 2 LG Prime batteries ⁽⁶⁾						
Continuous Power	Up to inverter rated power						
SMART ENERGY CAPABILITIES							
Consumption Metering	Built-in ⁽⁷⁾						
Battery Storage	In backup: Up to 3 inverters, 88.2kWh with SolarEdge Energy Bank Battery						
EV Charging	Smart EV ready - separate EV charger and cabling required						

(1) These specifications apply to inverters with part numbers SExxxxH-AUS3xxxx and connection unit model number DCD-1PH-AU-PxH-F-x

(2) Not designed for standalone applications and requires AC for commissioning

(3) Rated AC power in Backup Operation are valid for installations with multiple inverters. For a single backup inverter operation, rated AC power in backup is 90% of the stated value

(4) Rated current in backup operation are valid for installations with multiple inverters. For a single backup inverter operation, rated current in backup is 90% of the stated value

(5) A higher current source may be used; the inverter will limit its input current to the values stated

(6) Support for 2 LG Prime batteries with compatible inverter firmware

(7) For consumption metering current transformers should be ordered separately: SE-CTML-0350-070 or SE-ACT-0750-100 or SE-ACT-0750-250

/ Single Phase Energy Hub Inverter with Prism Technology

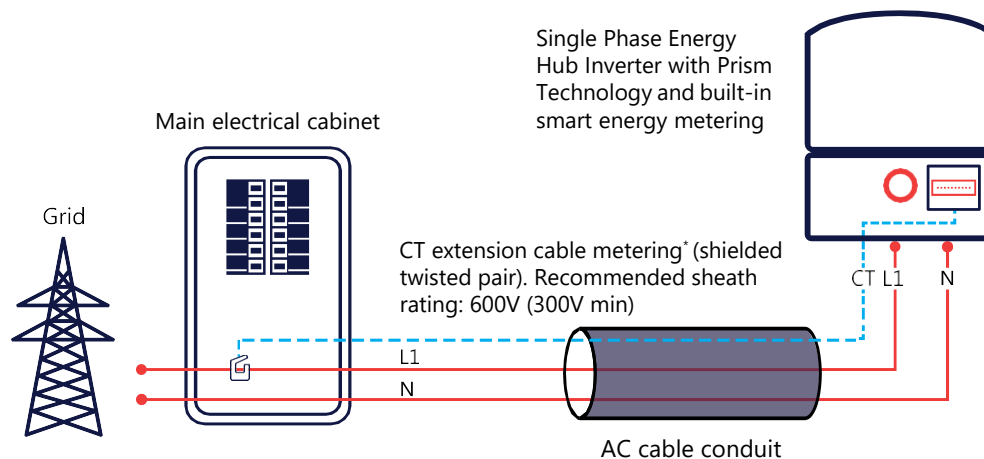
For Australia and New Zealand

SE3000H-XXX / SE4000H-XXX / SE5000H-XXX /
SE6000H-XXX / SE8250H-XXX / SE10000H-XXX⁽¹⁾

		SE3000H-XXX	SE4000H-XXX	SE5000H-XXX	SE6000H-XXX	SE8250H-XXX	SE10000H-XXX	UNITS
ADDITIONAL FEATURES								
Supported Communication Interfaces		RS485 - Modbus devices, RS485 - SE protocol, Ethernet, Wi-Fi, EnergyNet						
Integrated AC, DC and Communication Connection Unit		Yes						
Inverter Commissioning		With the SetApp mobile application using built-in Wi-Fi Access Point for local connection						
STANDARD COMPLIANCE								
Safety		IEC-62103 (EN50178), IEC-62109, AS/NZS3100						
Grid Connection Standards		AS/NSZ 4777.2:2020, EN 50549-1						
Emissions		IEC61000-6-2, IEC61000-6-3, IEC61000-3-11, IEC61000-3-12						
Listing	Photovoltaic Inverter	SExxxxH						
	Battery Inverter	SExxxxK-B						
	Photovoltaic and Battery Inverter	SExxxxK-BPV						
	Multiple Mode Inverter (Battery only)	SExxxxK-MMB						
	Multiple Mode Inverter	SExxxxK-MM						
INSTALLATION SPECIFICATIONS								
AC Output and DC Input Conduit Size / Wire Cross Section		32 mm Maximum / 1-10 mm ²						
Dimensions with Connection Unit (H x W x D)		450 x 370 x 174			540 x 370 x 185			
Weight with Connection Unit		<15			<20			
Communication Glands		2						kg
Noise		<25			<50			dBA
Cooling		Natural convection						
Operating Temperature Range		-40 to +60 ⁽⁸⁾						°C
Protection Rating		IP65 - Outdoor and Indoor						
Manufacturing Countries		China / Vietnam / Hungary						

(8) Full power up to at least 50°C; for power de-rating information refer to: <https://www.solaredge.com/sites/default/files/se-temperature-derating-note.pdf>

Connecting CTs to the Revenue Grade and Consumption Meter



* One CT for import/export or consumption metering